

ACTatek External I/O Board Installation Manual

Version 1.6
January , 2024
Jakin ID

ACTAtek External I/O Board Installation manual

Copyright 2024 Jakin ID Limited, All rights reserved.

No part of this document may be reproduced, transmitted, transcribed, stored in a retrieval system, or translated into any language, in any form or by any means, electronic, mechanical, magnetic, optical, chemical, manual or otherwise without the prior written permission of Jakin ID Limited.

ACTAtek is a registered trademark of Jakin ID Limited

All trademarks, registered trademarks, and service marks are the property of their respective owners.

Offices:

Asia and the Rest of the World:

Unit 913-914, 9/F., Worldwide Industrial Centre, 43-47 Shan Mei Street

Fotan, Shatin, N.T., Hong Kong

Tel: 852 2319 1333

Fax: 852 2776 8997

Email: info@jakinid.com

Americas (North and South America):

Suite 230, 10691 Shellbridge Way

Richmond, BC V6X 2W8

Canada

Phone: 604 278 8888

Fax: 604 278 6082

Email: info@jakinid.com

Europe, Middle East & Africa:

Unit 7 Lightning way,

West Heath, Birmingham B31 3PH

U.K.

Phone: 44 121 411 2288

Fax: 44 121 411 2299

Sales Tel: 44 121 288 9923

Email: info@jakinid.com

Contents

ACTAtek External I/O Board Installation Manual.....	1
Revision History	2
Chapter 1. External I/O Board	5
1.1) Overview of External I/O Board.....	5
1.2) Layout of External I/O Board	6
1.3) Installing External I/O Board with ACTAtek 3	7

Chapter 1. External I/O Board

ACTAtek will provide an optional External I/O Board for additional inputs and outputs to be connected for various functions.

The ACTAtek External I/O Board will allow the ACTAtek device to connect to the EM Locks & Alarms, door contact sensors, and also the 26bit wiegand output communication.

The External I/O Board will also work in a similar way as the Secure External Relay; as it will control the EM lock once properly installed with ACTAtek device.

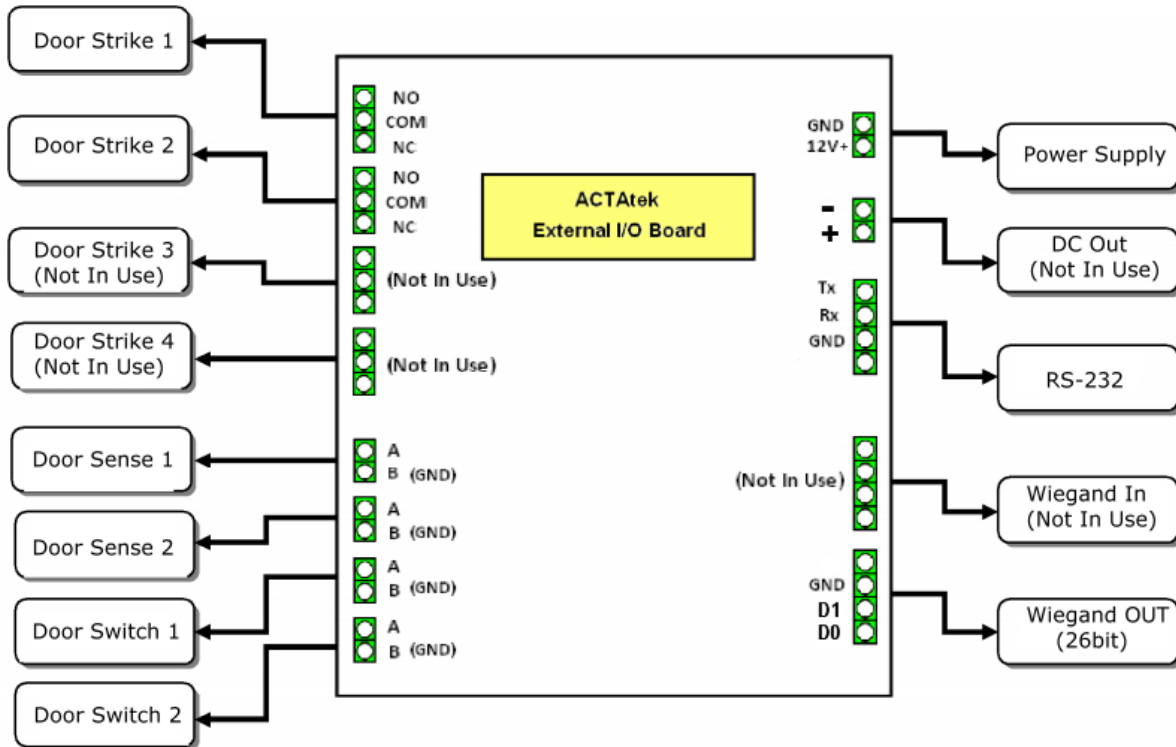
Note: Once the ACTAtek device is connected to the External I/O Board, its local IO e.g. Door Strike/Door Switch etc. will be disabled for the security concerns.

1.1) Overview of External I/O Board

The External I/O Board consists of the following:

Relay	Number of.
Door Strike	4 (2 are in use)
Door Switch	2
Door Sense	2
Wiegand Output	1
Wiegand Input	1 (Not in use)
RS232	1
DC Out	1 (Not in use)

1.2) Layout of External I/O Board



Door Strike 1 = For connection to EM Lock

Door Strike 2 = For other usage i.e. External Buzzer

*Door Senses = Sensor for detecting of door being left open

Door Switches = Door Strike will be activated once Door Switch is a closed circuit.

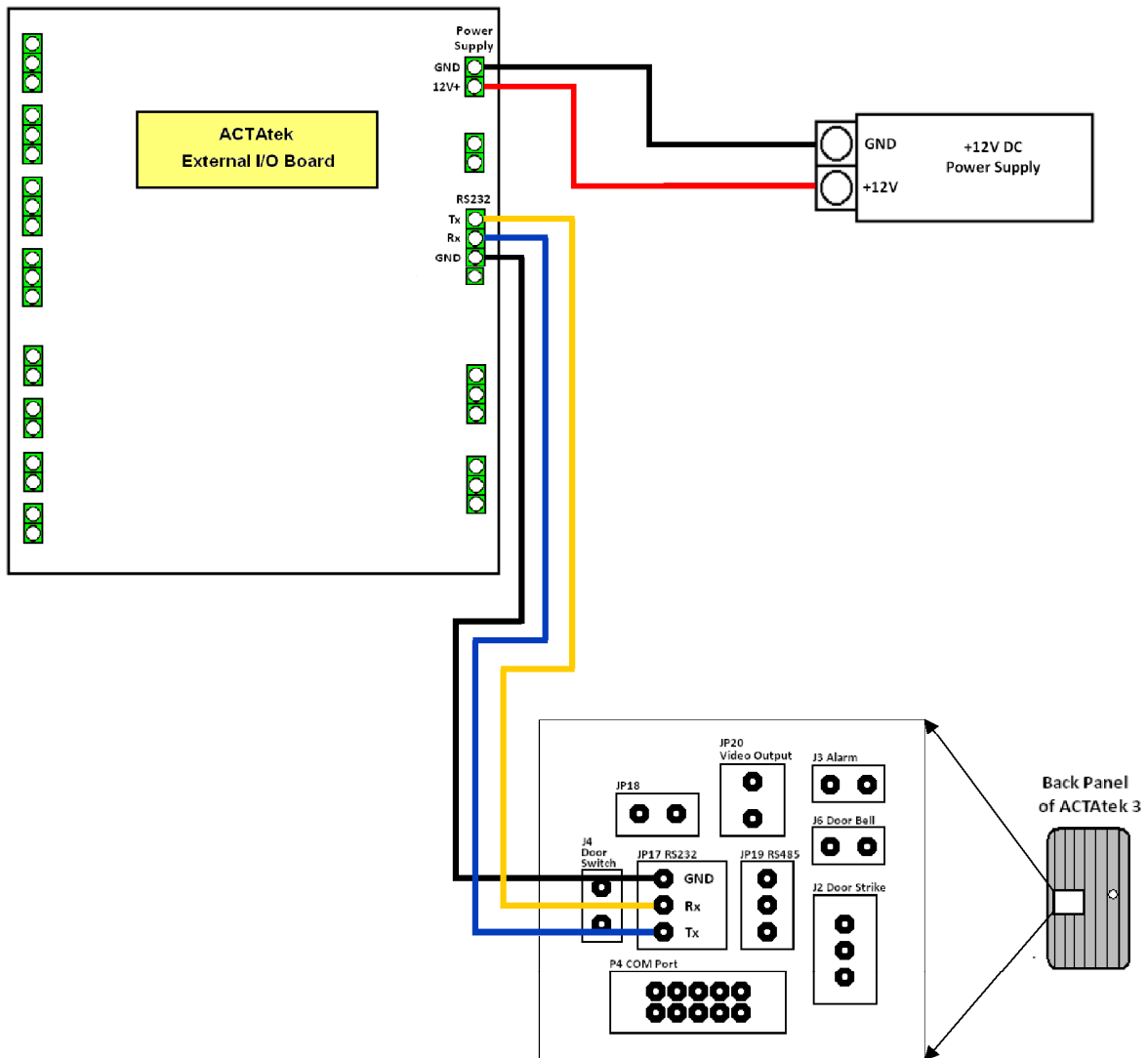
Power Supply = For connection to DC 12V Power Supply

RS232 = For connection to ACTAtek unit

Wiegand Out = For Wiegand Output (26bit) interface

*The customer can install the wired door magnetic sensor with NO magnetic contact to the ACTAtek external IO board, and help monitor the door if it was left open for more than 30 secs. ACTAtek device will then display the system message e.g. "Error:Door is opened".

1.3) Installing External I/O Board with ACTatek



1. Connect the RS232 cable provided to the RS232 (JP 17) on ACTatek unit.
 2. Connect Power cables to JP13 of External I/O Board as per diagram.
 3. Power up External I/O Board (Wait for around 2 sec. OR wait for amber led remain "ON" only before continue step 4.
 4. Power Up ACTatek (Test out remote door open function OR Access with pre-enrolled user, if will activate External I/O Board Door Strike 1)
- (Note: you need to connect up a door strike EM to the Door strike 1 I/O board in order to verify)*