

Access Control
Video Surveillance
Payroll
Time Attendance
Workforce Management

Covid-19 Healthcare Contact Tracing

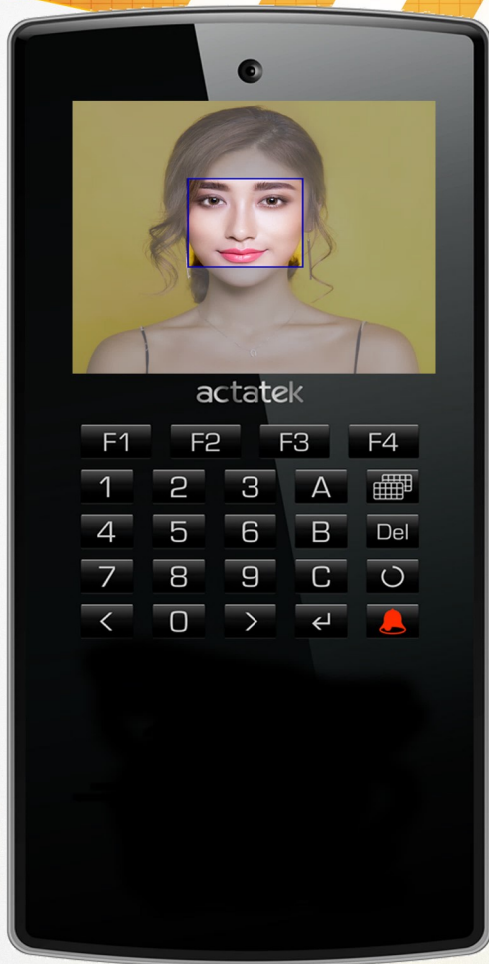
Crowd Control

Visitor Management

ACTatek Facial

biometrics IoT all-in-one reader

Hassle-free, easy to install



Improve your business security and efficiency with ACTatek facial, QR code, and password single or multi-factor authentication IoT solutions for your offices and facilities:

User friendly, just like Internet banking, use any web-browser on your PC, laptop and mobile phone to access and manage all the applications.

It is technology proof with users, features and functions upgrade via software patches.

The device is protected by latest TLS 1.3 256-bit encryption and continuous upgrade to protect your network.

With optional PoE built-in, just a single CAT5-6 cable can deliver all the needs for the device as well as to the door strike. Coupled with online maintenance giving you tremendous saving on cabling cost, remote on-site maintenance and travelling expenses!



FC CE SAS IEC6095

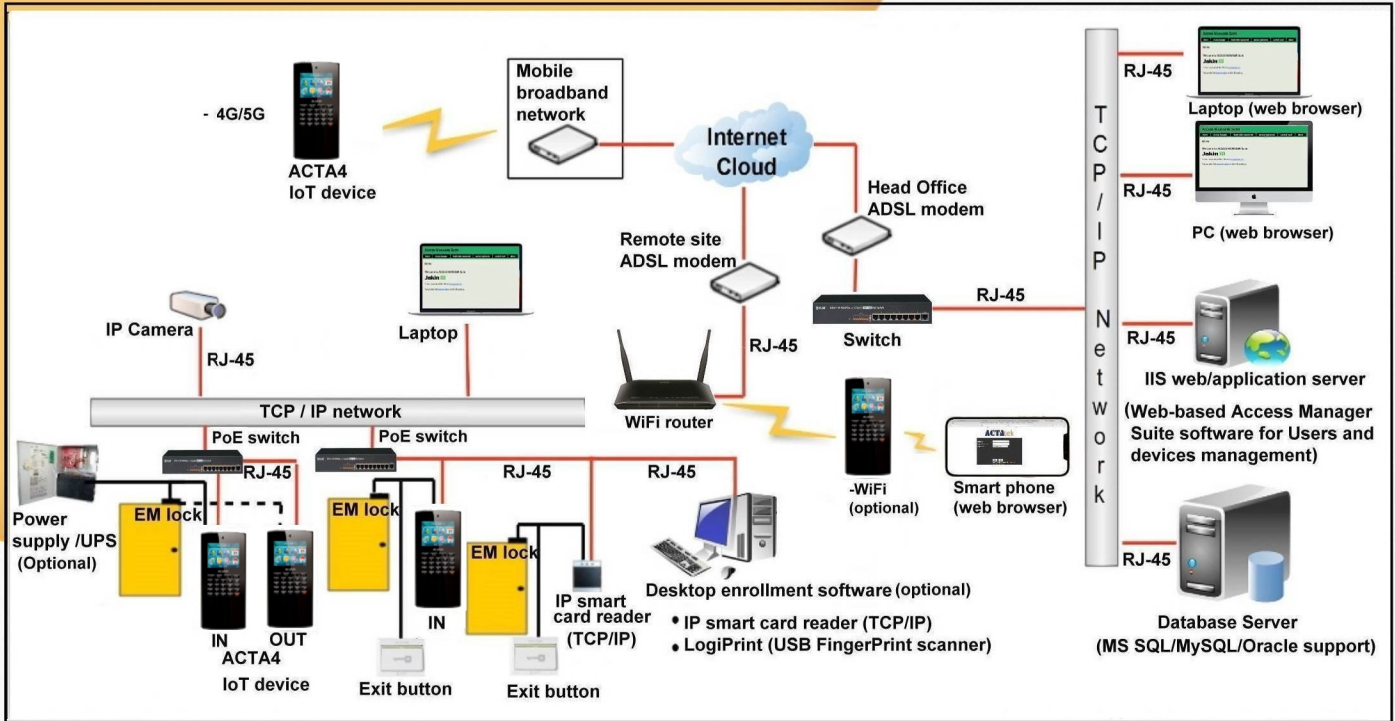
IP65 (Water Proof & Impact Resistant)

FROST & SULLIVAN

"2010 World Biometrics Vertical Market Penetration Leadership Award"

Easy to scale: you can install one today and thousands of units tomorrow! Simply plug and play on your network. The IP65 rating allows all weather installations.

Access Control / Time Attendance



Standard Features

Model no. A-3K-FA

Fingerprint enrollment	Optional
Built-in smartcard reader	Optional
Facial recognition with camera	✓
QR code authentication with camera	✓
Live detection	Optional for Fingerprint
Built-in web and database server	Web-Based
Number of users	3,000 users
Number of Event Logs	1,000K (FIFO when is full)
Static IP address assignment	✓
Dynamic IP address assignment	✓
Power Over Ethernet (Optional)	IEEE 802.3af/at/bt
Valid characters for employee ID	0-9, A-C (max. 16 characters)
Programmable function keys support	F1,F2,F3,F4
Authentication time	< 1 second
Alert	by email and SMS, LCD message displayed
WiFi (Optional)	IEEE 802.11 a/b/g/n/ac
SIM card 4/5G/LTE	Optional
IP Intercom (Built-in)	Optional (SIP,VoIP Intercom)

Body Temperature Sensor (Temsens) (Optional)
 Specification:
 Power supply: 12VDC from ACTAtek device
 Measuring range: 35.0 C - 42.8 C
 Fever alert: 38.0 C - 42.8C Red LED Blinks
 Measuring distance: 100mm - 250mm
 Accuracy: +/- 0.2C
 Speed: 600mS
 Interface: RS232

Model no. A-3K-FA

Cyber Security	<ul style="list-style-type: none"> ✓ HTTP/HTTPS encrypted communications ✓ TLS1.3 256-bit with periodic updates ✓ IP range restrictions ; Allowed IP ✓ OWASP VAPT report (Vulnerability Assessment and Penetration Testing)
Remote Enrollment (FingerPrint/Facial/Smart Card/PIN)	✓
Remote Clock-in-out	✓
SNMP support (Simple Network Management Protocol)	Optional
Multi-lingual support	✓
Network interface (Built-in)	1,000 BaseT Ethernet
I/O interface	- RS-232 / RS-485 - Wiegand output (26bit)
Operation temperature	-40 °C to 60 °C
Modes of authentications	Facial, QR code, PIN Facial+QR code
Relay/Door Switch/Door Bell	1 relay /1 door switch/1 door bell
Safety standard/Casing	CE, FCC, IK 10, IEC 62368-1 IP65-fluid ingress, dust, salt, fog protection
Product Life Cycle	Minimum 10 years

Distributed by