

Access Control
Video Surveillance
Payroll
Time Attendance
Workforce Management

Covid-19 Healthcare Contact Tracing

Crowd Control

Visitor Management

ACTatek Smart Card all-in-one IoT solutions

Hassle-free, easy to install



FCCE IK10 IEC 62368-1
IP65(Water Proof& Impact Resistant)

Improve your business security and efficiency with ACTatek Smart Card single or multi-factor authentication IoT solutions for your offices and facilities mobile all-in-one IoT solutions:

User friendly, just like Internet banking, use any web-browser on your PC,laptop and mobile phone to access and manage all the applications remotely.

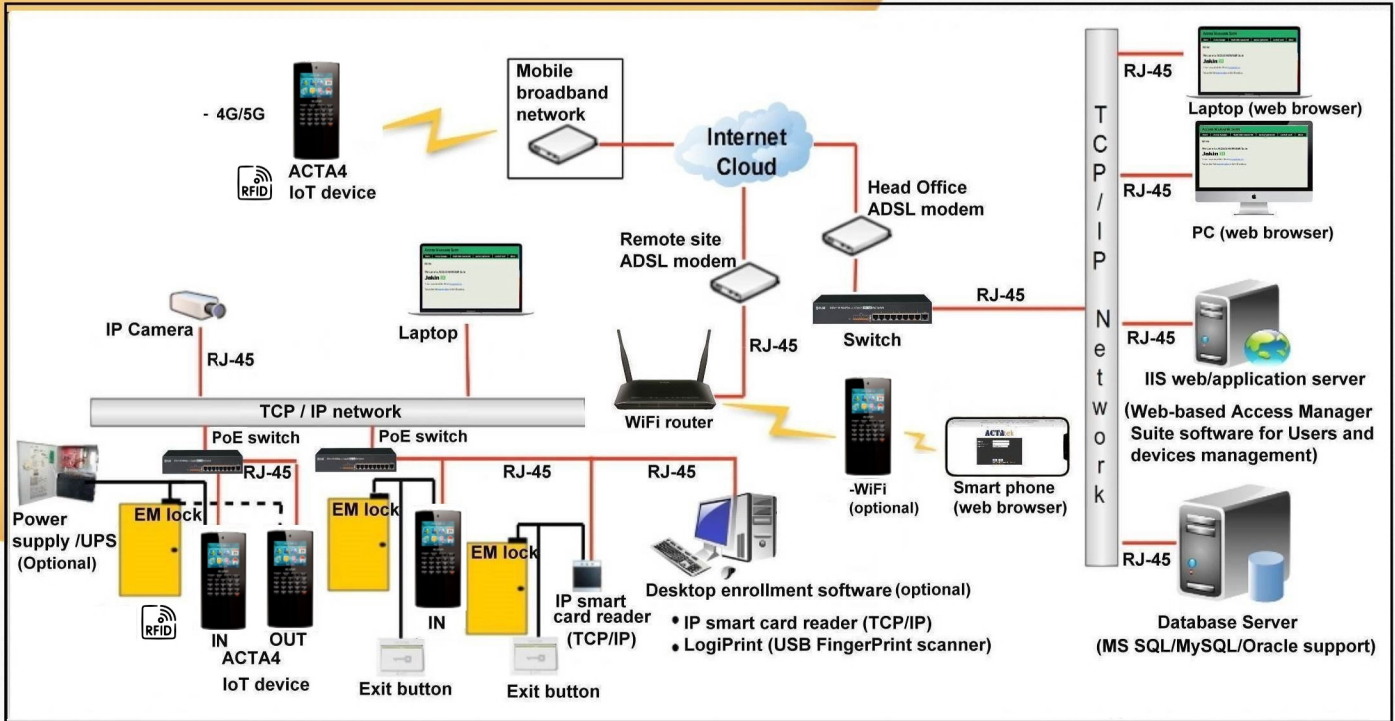
It is technology proof with users, features and functions upgrade via software patches.

The device is protected by latest TLS 1.3 256-bit encryption and continuous upgrade to protect your network.

With optional PoE built-in, just a single CAT5-6 cable can deliver all the needs for the device as well as to the door strike. Coupled with online maintenance giving you tremendous saving on cabling cost, remote on-site maintenance and travelling expenses!

Easy to scale: you can install one today and thousands of units tomorrow! Simply plug and play on your network.The IP65 rating allows all weather installations.

Access Control / Time Attendance



Standard Features

Model no. A-1K-SU

Fingerprint enrollment	Optional
Built-in smartcard reader	✓
Facial recognition with camera	Optional
QR code authentication with camera	Optional
Live detection	Optional for Fingerprint
Built-in web and database server	Web-Based
Number of users	3,000 users
Number of Event Logs	1,000K (FIFO when is full)
Static IP address assignment	✓
Dynamic IP address assignment	✓
Power Over Ethernet (Optional)	IEEE 802.3af/at/bt
Valid characters for employee ID	0-9, A-C (max. 16 characters)
Programmable function keys support	F1,F2,F3,F4
Authentication time	< 1 second
Alert	by email and SMS, LCD message displayed
WiFi (Optional)	IEEE 802.11 a/b/g/n/ac
SIM card 4/5G/LTE	Optional
IP Intercom (Built-in)	Optional (SIP,VoIP Intercom)
Body Temperature Sensor (Temsens) (Optional)	Specification: Power supply: 12VDC from ACTAtek device Measuring range: 35.0 C - 42.8 C Fever alert: 38.0 C - 42.8C Red LED Blinks Measuring distance: 100mm - 250mm Accuracy: +/- 0.2C Speed: 600mS Interface: RS232

Model no. A-1K-SU

Cyber Security	✓ HTTP/HTTPS encrypted communications ✓ TLS1.3 256-bit with periodic updates ✓ IP range restrictions ; Allowed IP ✓ OWASP VAPT report (Vulnerability Assessment and Penetration Testing)
Remote Enrollment (FingerPrint/Facial/Smart Card/PIN)	✓
Remote Clock-in-out	✓
SNMP support (Simple Network Management Protocol)	Optional
Multi-lingual support	✓
Network interface (Built-in)	1,000 BaseT Ethernet
I/O interface	- RS-232 / RS-485 - Wiegand output (26bit)
Operation temperature	-40°C to 60°C
RFID cards support	EM (EM 4100) HID Proximity
Modes of authentications	Smart Card , PIN Smart Card plus PIN
Relay/Door Switch/Door Bell	1 relay /1 door switch/1 door bell
Safety standard/Casing	CE ,FCC ,IK 10 ,IEC 62368-1 IP65-fluid ingress,dust,salt,fog protection
Product Life Cycle	Minimum 10 years

Distributed by